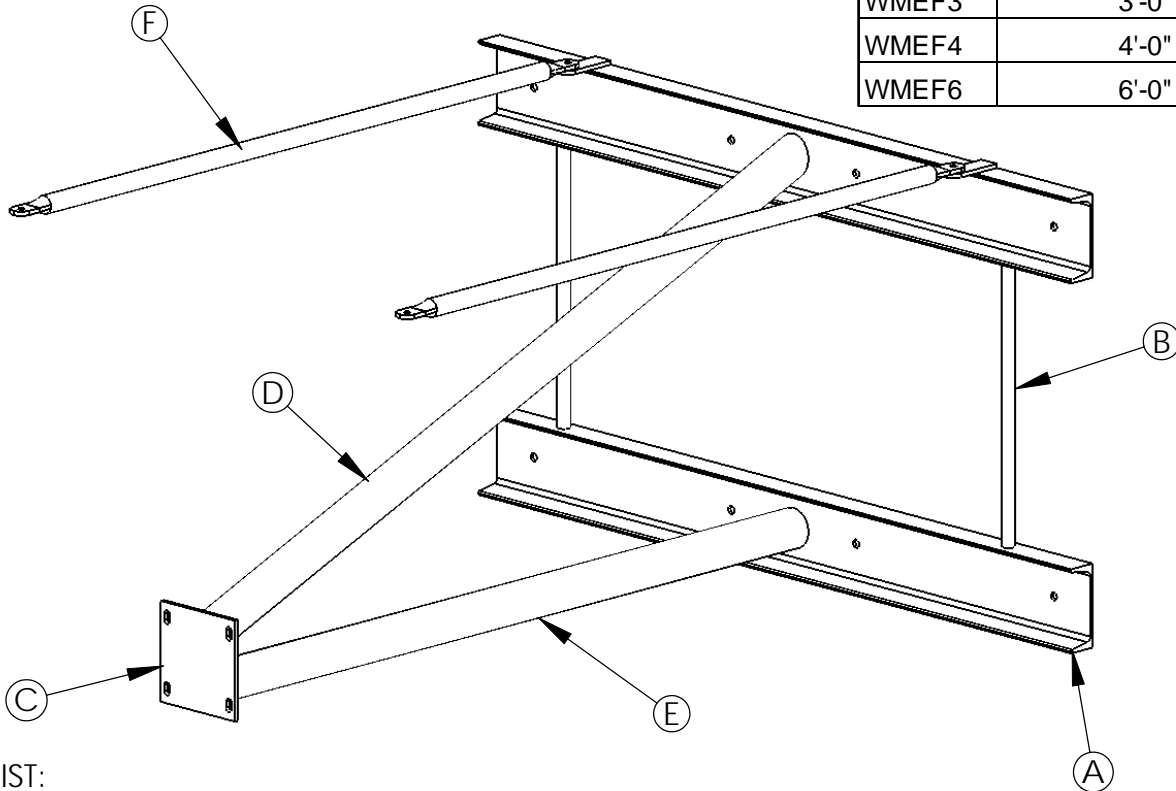


NOTE: NUMBER OF BRACES VARIES BY MODEL OF BACKBOARD

MODEL	EXT. LENGTH
WMEF1	1'-0"
WMEF3	3'-0"
WMEF4	4'-0"
WMEF6	6'-0"



PART LIST:

- A. (2 EA.) CHANNEL: 3" X 1" X 1" STEEL FORMED CHANNEL, 36" LONG/ 11 GA.
(TOP CHANNEL HAS (2) TABS WELDED TO TOP)
- B. (2 EA.) 1" DIA. ROD X 22" LONG
- C. (1 EA.) 3/16" X 6" X 6" STEEL PLATE
- D. (1 EA.) 2-3/8" OD STEEL TUBING
- E. (1 EA.) 2-3/8" OD STEEL TUBING
- F. (2 EA.) BRACES: 1" OD GALV. STEEL PIPE X 14-5/8" C.L.
- G. (4 EA.) 5/16" X 1-1/4" HEX BOLTS W/ N, FW & LW (FOR BRACES)
- H. (8 EA.) 5/16" KWIK BOLTS, LAG ANCHORS OR TOGGLE BOLTS DEPENDING ON WHAT
KIND OF WALL IS USED.
- I. (4 EA) 3/8" X 2" (FOR STD. FIBERGLASS BOARD) OR 3/8" X 1-3/4" (FOR ALUM. BOARD)
HEX BOLTS W/ N, FW, & LW (FOR GOAL RIM).
- J. (1 EA) GOAL RIM & NET UNIT

NOTE: SPECIFICATIONS ARE SUBJECT TO CHANGE

WALL MOUNT BACKBOARD INSTALLATION:

1. Attach extension frame to surface with (8 EA) 5/16" bolts (item H).
2. Attach backboard w/goal rim net unit to 3/16" X 6" X 6" steel plate welded on end of extension frame, using 5/16" X 1-3/4" or 1-1/4" hex bolts w/ N, FW, & LW (item I)
Hand tighten only.
3. Attach braces to extension frame w/ the 5/16" X 1" bolts w/ N, FW, & LW, hand tighten only. Attach other ends of braces to backboard using the 5/16" X 1" bolts w/ N, FW & LW
4. Square up backboard unit, then tighten all bolts.