

# — Instruction Manual —

## SHCLKBKTFS

Shot Clock Stand - Free Standing (Pair)



Customer Service  
(800) 247-7668

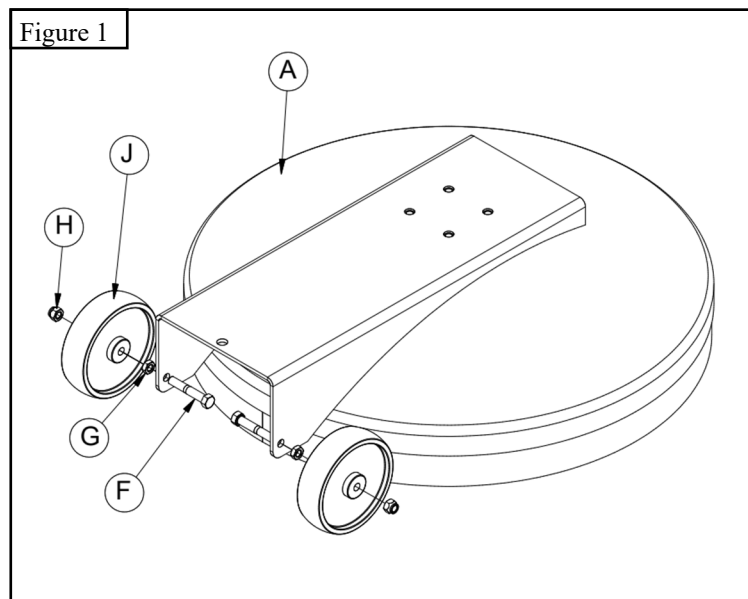
PARTS LIST					
Item	Qty	Description	Item	Qty	Description
A	2	Base	G	4	3/8" Jam Nut - FT1073
B	2	Upright	H	4	3/8" Nylock Nut - FT1071
C	2	Top Shelf Bracket	I	8	3/8" Lock Washer - FT1960
D	2	Socket Tube	J	4	5" Wheel
E	24	3/8" x 1" Hex Bolt - FT1541	K	2	Shot Clock (Order Separately)
F	4	3/8" x 2 1/4" Hex Bolt - FT1629			

- ◆ Inspect all contents prior to installation. Report any missing parts to dealer immediately.
- ◆ Read all instructions before proceeding.
- ◆ Save this instructions in the event that the manufacturer must be contacted in the future.

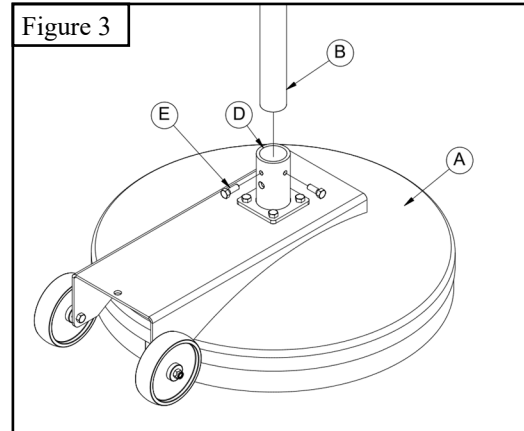
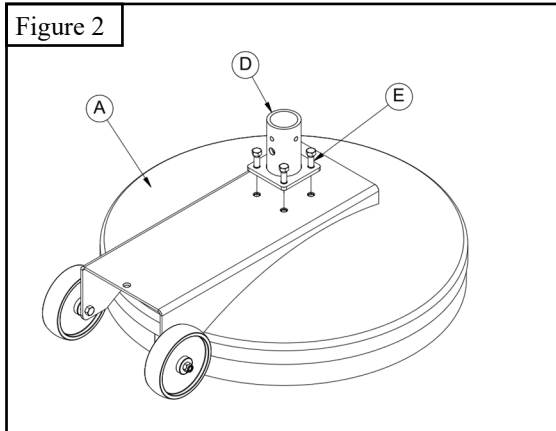
**NOTE:**

**This shot clock stand is intended for use only with the Bison SHCLK300 Wireless Shot Clock Systems.**

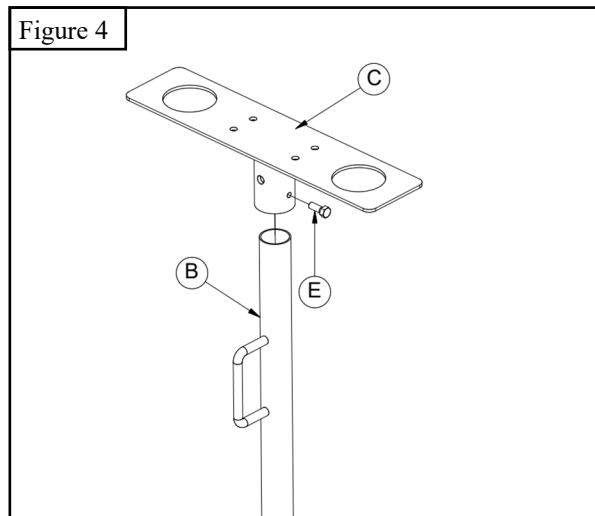
1. Using 3/8" x 2 1/4" Hex Bolts (F), 3/8" Jam Nuts (G) and 3/8" Nylock Nuts (H), attach the 5" Wheels (J) to Base (A) .See Figure 1.



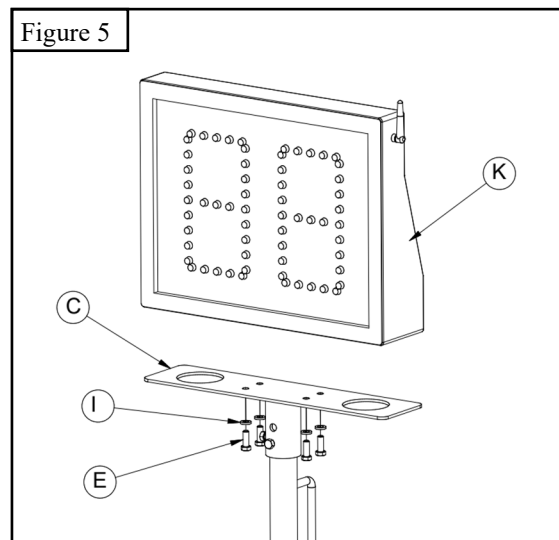
2. Using four  $3/8'' \times 1''$  Hex Bolts (E), attach *Socket Tube* (D) to *Base* (A). Insert the *Upright* (B) with the handle towards the top and back into the *Socket Tube* (D), and use two  $3/8'' \times 1''$  Hex Bolt (E) to prevent the *Upright* (B) from moving. See Figure 2 and Figure 3.



3. Place the *Top Shelf Bracket* (C) on the top end of the *Upright* (B) and secure it in place by inserting two  $3/8'' \times 1''$  Hex Bolts (E) into the threaded holes. See Figure 4.



4. Using four  $3/8'' \times 1''$  Hex Bolts (E) and two  $3/8''$  Lock Washers (I), Install the *Shot Clock* (K) on top of the *Top Shelf Bracket* (C). See Figure 5.



# Shot Clock Stand

