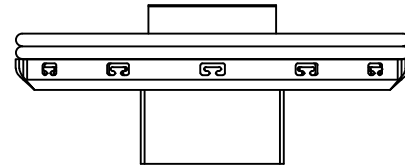
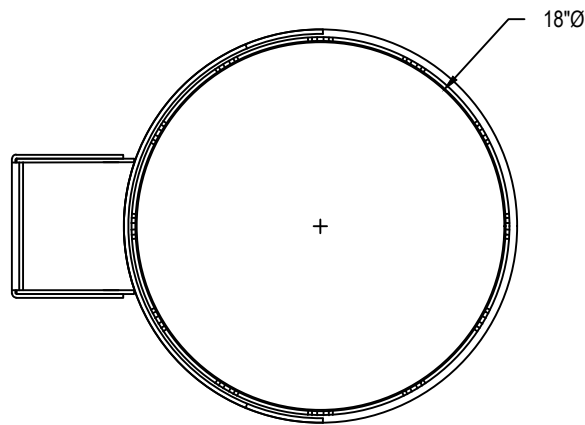


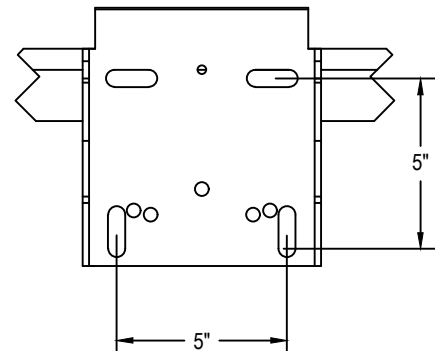
SIDE



FRONT



TOP



REAR

Rim shall be of a flexible type so as to absorb the shock of player contact. Spring action shall be provided by a compression spring. Assembly shall consist of two official size 5/8"Ø AISI 1018 cold drawn carbon steel rings welded together at a minimum of six places. The net attachment system shall be of a continuous type constructed of 3/16" x 1" steel with punched net attachment slots suitable for nylon (included) or chain (optional) nets. Individual or continuous wire formed netlocks are not an acceptable equal. Rim shall be punched to mount on any front mount backboard, have a 1-year limited warranty and an orange powder coated finish. Mounting hardware shall be included. Rim shall be made in the USA. Installation to be completed in accordance with manufacturer's instructions. Do not scale drawings. Weight approximately 29#.



PRODUCT SPECIFICATION

BA33U DOUBLE-RIM HEAVY-DUTY RECREATIONAL FLEX GOAL

REVISED 7/1/17