

VB76

Freestanding Folding Volleyball Officials Platform with Padding

PARTS LIST					
Item	Qty	Description	Item	Qty	Description
A	1	Front Frame	G	2	5/16" Lock Nut
B	1	Ladder Frame	H	2	3/8" X 1 1/2" Hex Bolt
C	1	Platform	I	2	3/8" X 1" Hex Bolt
D	2	Wheel	J	4	3/8" Lock Nut
E	2	5/16" X 3" Hex Bolt	K	2	Plastic Washer
F	2	5/16" Jam Nut	L	Set	VB75P Padding

- ◆ Inspect all contents prior to installation. Report any missing parts to dealer immediately.
 - ◆ Read all instructions before proceeding.
1. Use the *3/8" X 1 1/2" Hex Bolts (H)*, *Plastic Washers (K)* and *3/8" Lock Nuts (J)* to attach *Ladder Frame (B)* to *Front Frame (A)* making sure *Plastic Washer (K)* is positioned between *Ladder Frame (B)* and *Front Frame (A)*. See Figure 1.

Warning!
The factory installed safety pin must be fully inserted and secured with the retaining wire prior to use. Check this connection each time the judges stand is used, failure to use the safety pin could cause judges platform to collapse causing serious injury.

2. Use the *3/8" X 1" Hex Bolts (I)* and *3/8" Lock Nuts (J)* to install *Platform (C)* to the *Front Frame (A)*. See Figure 1.
3. Use the *5/16" X 3" Hex Bolts (E)*, *5/16" Jam Nuts (F)* and *5/16" Lock Nuts (G)* to attach *Wheels (D)* to *Ladder Frame (B)*. See Figure 1.
4. Install *VB75P Padding Set (L)* by removing the vinyl wrap, install foam tubes around the judges stand and replacing vinyl wrap around the foam tubes using the sewn in velcro to secure padding in place. See Figure 2.

Warning!
Make sure all safety padding is in place prior to play to reduce the chance of injuries.

Warning!
Maximum allowable load is 250 pounds.

Figure 1

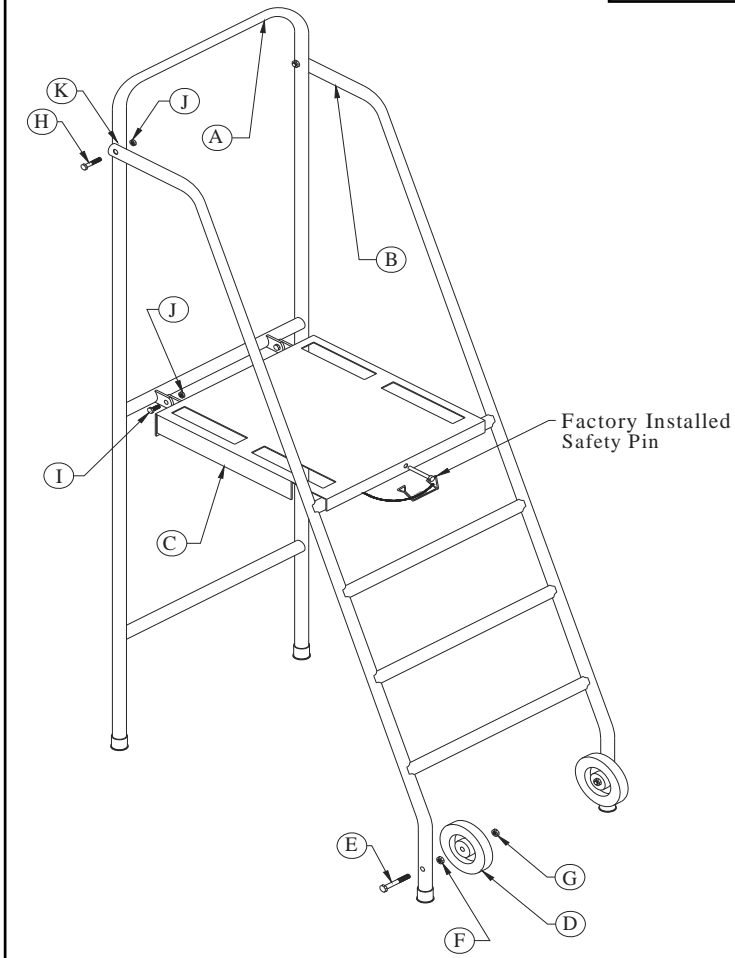


Figure 2

